

DPSS-473-NL **BLUE LASERS: 473 nm, 10~200 mW**



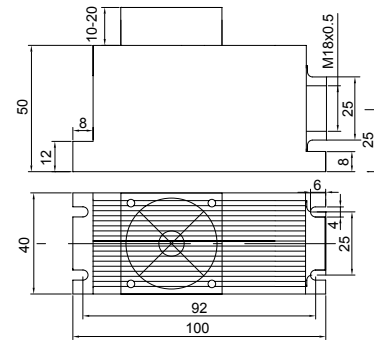
- Compact size
- Collimated straight beam
- Adjustable focus
- Easy use & maintenance free
- Longlife operation
- High efficiency
- High reliability

SPECIFICATIONS

Wavelength	473 nm
Spatial Mode	TEM ₀₀
Output Power	10, ..., 200 mW
Residual IR (1064, 808, 946 nm etc)	<0.01%
Operation Mode	CW or Modulation
Modulation	Analog or TTL upto 30 kHz
Polarization	Linear
Beam Spot Shape	Circular, aspect ratio <1.1 : 1
Pointing Stability	<0.05 mrad
Beam Diameter (1/e ²)	2 mm
Beam Divergence	0.5 mrad
Power Stability	<±5% per 2 hrs
Temperature Stabilizing	TEC
Warm Up Time	<5 minutes
Beam Quality (M ²)	<2.0
Optimum Operating Temperature	20~30 °C
Storage Temperature	10~50 °C
Expected Lifetime	10,000 hrs
Laser Head Dimensions	40(W) × 100(L) × 50(H) mm (optional fan adds 15 mm height)
Weight	400 g
POWER SUPPLY	
OEM type EO-PS-I	58(W) × 100(L) × 32(H) mm AC/DC PSU: 85~265 V 50/60 Hz input
Lab type EO-PS-IIS	104(W) × 128(L) × 89(H) mm 85~265V 50/60 Hz input
Lab Adjustable type EO-PS-II	179(W) × 148(L) × 56(H) mm 85~265 V 50/60 Hz input

ORDERING INFORMATION

Catalogue number	Description
DPSS-473-NL10	10 mW
DPSS-473-NL20	20 mW
DPSS-473-NL40	40 mW
DPSS-473-NL50	50 mW
DPSS-473-NL80	80 mW
DPSS-473-NL100	100 mW
DPSS-473-NL120	120 mW
DPSS-473-NL150	150 mW
DPSS-473-NL180	180 mW
DPSS-473-NL200	200 mW
EO-PS-I	OEM Type power supply
EO-PS-IIS	Lab type power supply
EO-PS-II	Lab adjustable type power supply



DPSS-473-NL

RELATED PRODUCTS

Laser Safety Eyewear
See page 1.16.



POWER SUPPLIES

- OEM power supply **EO-PS-I**
- Lab type power supply **EO-PS-IIS**
- Lab adjustable type power supply **EO-PS-II**

